

# Technical data sheet

## Product features



### Fry-top griddle plate combined chromed

<b>Model</b>	<b>SAP Code</b>	00020636
--------------	-----------------	----------



- Top type: Combined
- Griddle dimensions [mm x mm]: 560 x 770
- Griddle thickness [mm]: 12.00
- Worktop material: AISI 304
- Container for liquid fat: Yes
- Independent heating zones: Separate control for each heating zone
- Surface finish: polished chrome 0.03 mm
- Removable rim: Yes
- Ignition: Piezo + Eternal Flame

<b>SAP Code</b>	00020636	<b>Power gas [kW]</b>	14.000
<b>Net Width [mm]</b>	800	<b>Type of gas</b>	Natural gas, propane butane
<b>Net Depth [mm]</b>	730	<b>Griddle dimensions [mm x mm]</b>	560 x 770
<b>Net Height [mm]</b>	300	<b>Top type</b>	Combined
<b>Net Weight [kg]</b>	75.00	<b>Worktop type</b>	Molded - comfortable cleaning maintenance

# Technical data sheet

Technical drawing

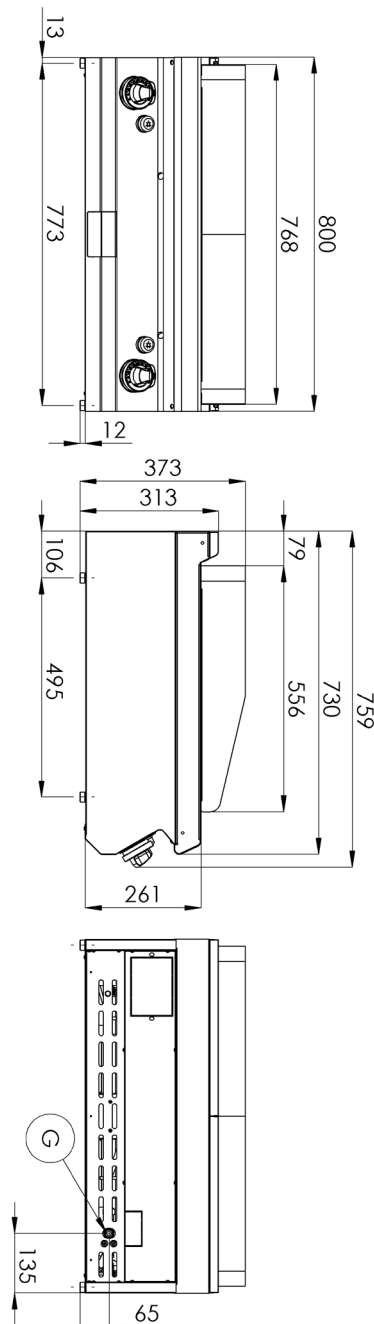


## Fry-top griddle plate combined chromed

Model

SAP Code

00020636



# Technical data sheet

Technical parameters



## Fry-top griddle plate combined chromed

**Model**

**SAP Code**

00020636

**1. SAP Code:**

00020636

**2. Net Width [mm]:**

800

**3. Net Depth [mm]:**

730

**4. Net Height [mm]:**

300

**5. Net Weight [kg]:**

75.00

**6. Gross Width [mm]:**

840

**7. Gross depth [mm]:**

800

**8. Gross Height [mm]:**

480

**9. Gross Weight [kg]:**

84.00

**10. Device type:**

Gas unit

**11. Construction type of device:**

Table top

**12. Power gas [kW]:**

14.000

**13. Ignition:**

Piezo + Eternal Flame

**14. Type of gas:**

Natural gas, propane butane

**15. Exterior color of the device:**

Stainless steel

**16. Material:**

AISI 304 top plate and cladding

**17. Worktop type:**

Molded - comfortable cleaning maintenance

**18. Worktop material:**

AISI 304

**19. Worktop Thickness [mm]:**

1.50

**20. Surface finish:**

polished chrome 0.03 mm

**21. Service accessibility:**

Trough the frontal panel

**22. Safety thermocouple:**

Yes

**23. Griddle dimensions [mm x mm]:**

560 x 770

**24. Griddle thickness [mm]:**

12.00

**25. Container for liquid fat:**

Yes

**26. Removable device container:**

No

**27. Independent heating zones:**

Separate control for each heating zone

**28. Removable rim:**

Yes

# Technical data sheet

Technical parameters



## Fry-top griddle plate combined chromed

Model	SAP Code	00020636

### 29. Uniform heating:

Yes

### 31. Connection to a ball valve:

1/2

---

### 30. Top type:

Combinated